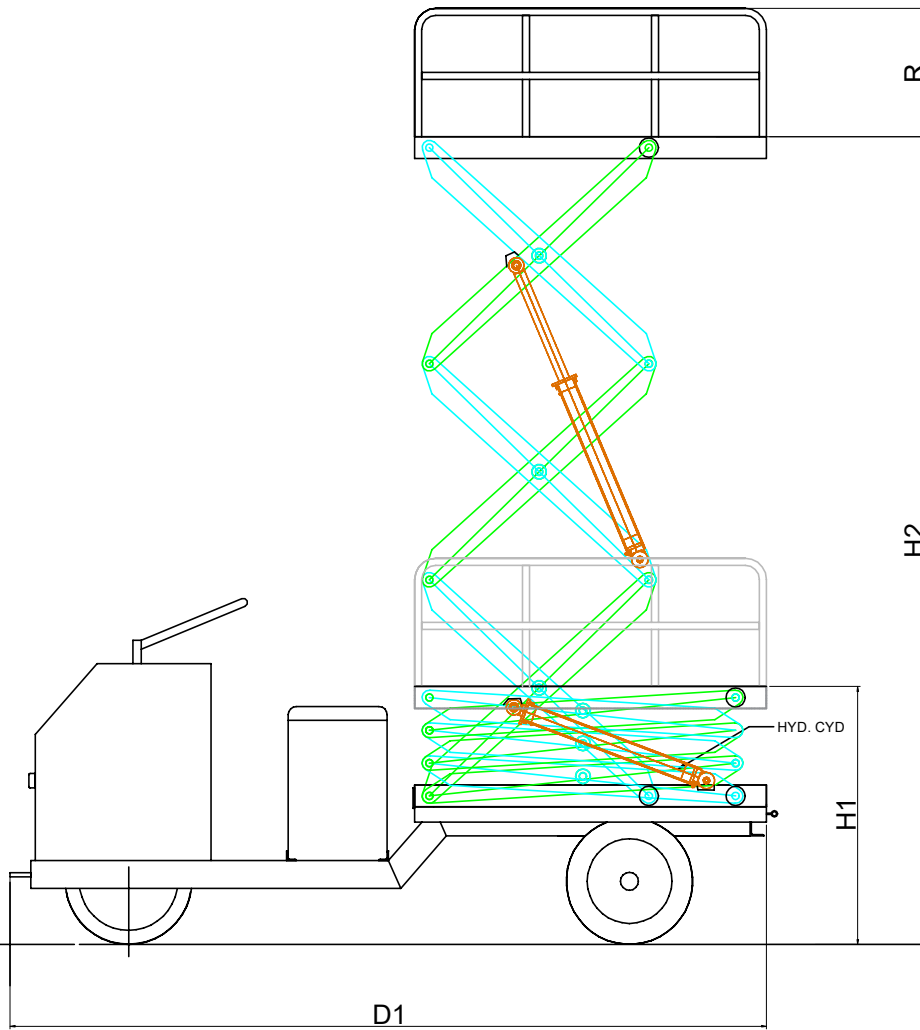
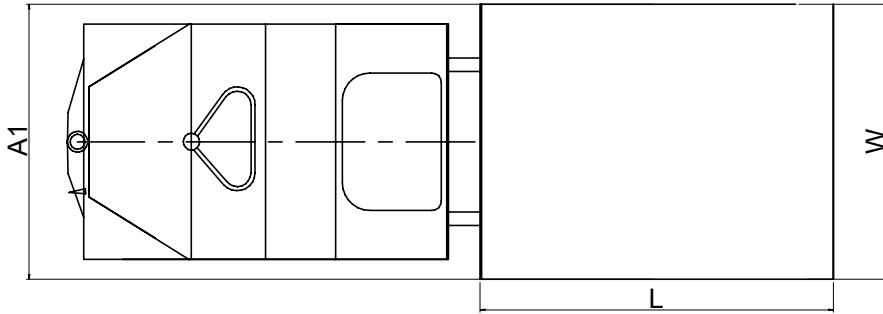


MCC : M.S.  
 SURFACE FINISH : PU ENAMEL SPRAY PAINTED  
 COLOUR : GOLDEN YELLOW  
 INCHING MODE LIFTING OPERATION.

CAPACITY	C	1000 kg
OVERALL LENGTH OF TRUCK	D1	2300 mm
OVERALL WIDTH OF TRUCK	A1	1200 mm
SCISSOR TABLE LENGTH	L	1200 mm
SCISSOR TABLE WIDTH	W	1200 mm
SCISSOR TABLE MAX HEIGHT	H2	3000 mm
SCISSOR TABLE MIN HEIGHT	H1	1000 mm
SCISSOR TABLE RAILING HEIGHT	R	900 mm



ALL DIMENSIONS ARE IN MM

CUSTOMER:- M/S TATA MOTORS			
PRODUCT:- TOW TRUCK			
PROJECT:-		CAPACITY : 1000 KGS.	
COMP.FILE NO : GA DRAWING			
PROJECTION:-	SCALE:- NTS	DATE	SIGN
	DRAWN	21.02.2020	PRATIK JOSHI
	CHECKED	21.02.2020	PRATIK JOSHI
	APPROVED	21.02.2020	PRATIK JOSHI
			REV 01

**JOIST-O-MECH**  
(SINCE 1987)

THIS PRINT IS THE PROPERTY OF  
M/S JOIST-O- MECH  
RETURNED UPON REQUEST THIS PART  
NOT BE SOLD TO ANY OTHER CONCERN.

SIZE	A4
SHEET	1 OF 1